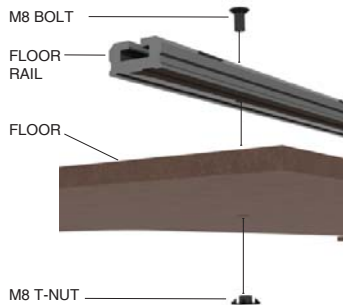


FLOOR RAIL FIXING

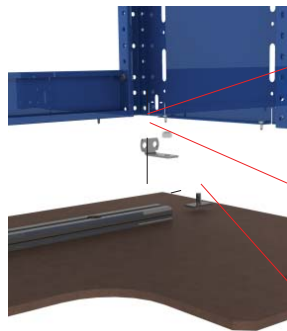
FLOOR TO RAIL INSTALLATION METHOD

STEP 1

FIX RAIL TO FLOOR AS SHOWN USING PRE-EXISTING FIXING POINTS IN BRI-STOR FLOOR



UNIT TO RAIL INSTALLATION METHOD



STEP 4

BRACKET A & B
ATTACH
SECURELY
TOGETHER

STEP 3

BRACKET B
ATTACHES TO
UNIT

STEP 2

BRACKET A
SLIDES INTO
RAIL

